

# Fine filter

Fine filter FF TM 1/2''

## Usage

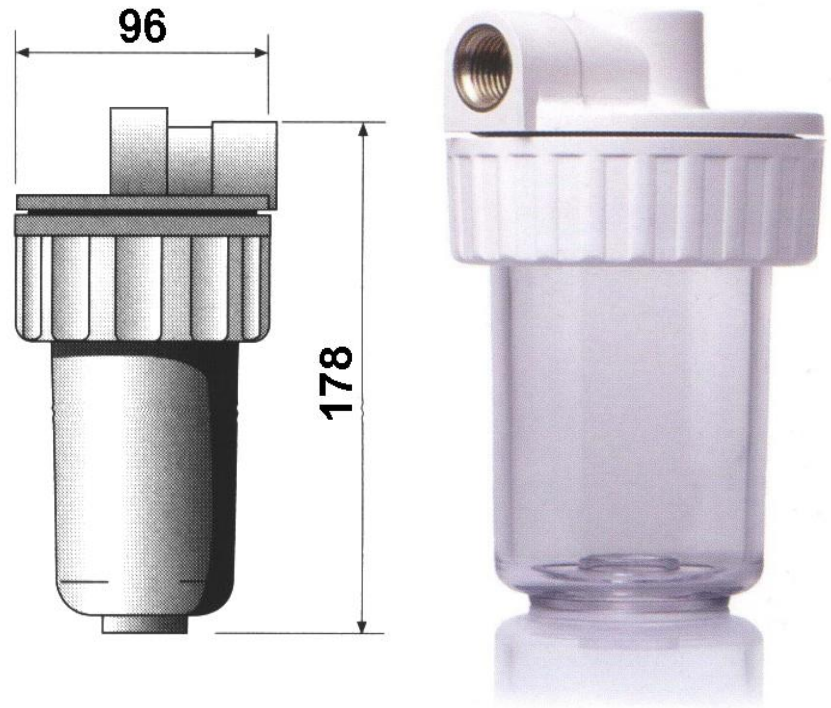
Fine filter reduce contact corrosion in pipe systems and prevent failures of operation of valves, instantaneous heaters, etc. With filtration of rust, scaling, sand and other impurities is reduced possibility of clogging pipe system.

From hygienic point of view cleaning of the filter is recommended at least once every 6 months. In the case of higher concentration of impurities it is recommended to shorten the period of cleaning cycle.

## Housing

Fine filter contains:

- filter bowl from transparent plastic, which have high resistance to shocks, high mechanical properties and long lasting transparency,
- washable plastic filter mesh,
- ABS head with brass insert and air venting screw.



All materials are inert and suitable for filtration of potable water.

## Additional equipment

- Key to open the filter.

Technical data		Materials	
Working temperature	+1/+45°C	Head	ABS, colored
Flow rate (without cartridge)		Connections	Brass
R 1/2"	1.300 l/h	Seal	NBR
Cartridge height	5"	Filter bowl	Transparent SAN plastic
Max. working pressure	5 bar		
Breaking pressure	25 bar		

01-1029-005-0116-EN We reserve us the rights to technical changes!