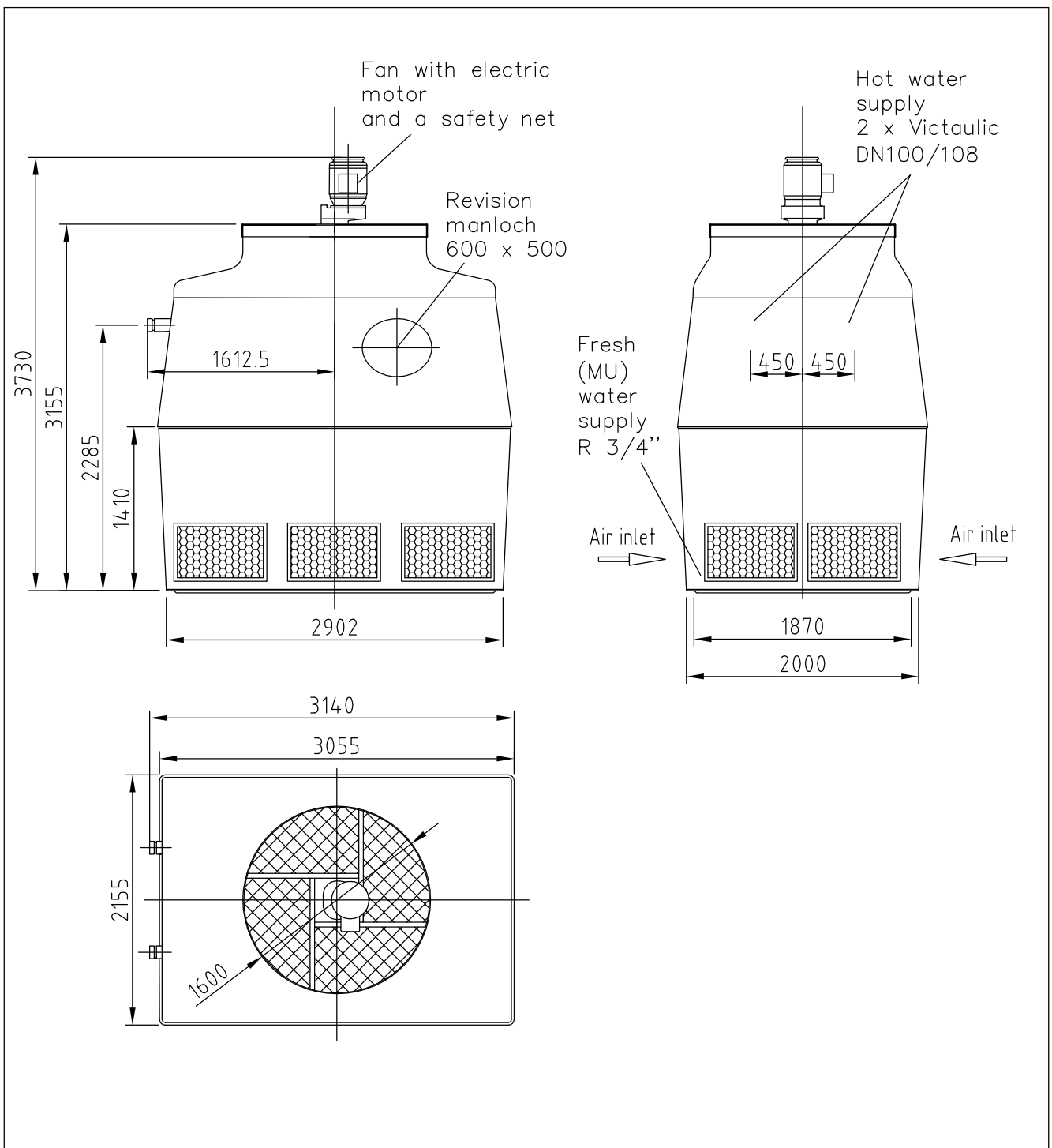


## Data sheet COOLING TOWER HSA 6

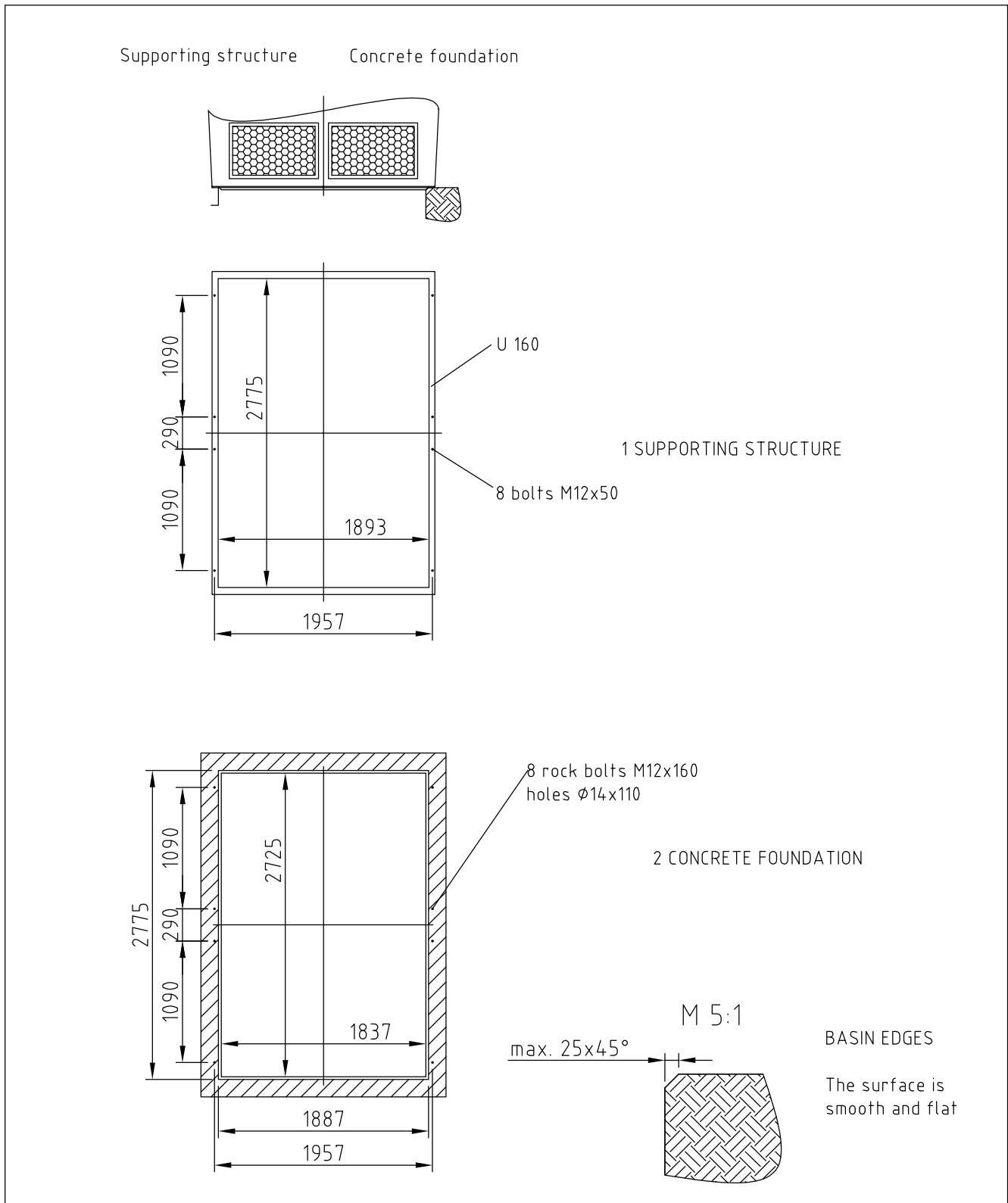
Version without water-collection basin



Type of cooling tower	Weight in kg		
	Net	Operation	Max.
HSA 6	1.200	2.100	4.000
Flow rate			
Range t/h	50-190		
Hot water supply	2xVictaulic DN100/108		

Tolerances of dimensions and connections  $\pm 10\text{mm}$ ; connections of backing flanges by DIN 2501

Foundations plan HSA 6  
Version without water-collection basin



Notes

- Views of the base and steel constructions
- Tolerances of the base by DIN 18205